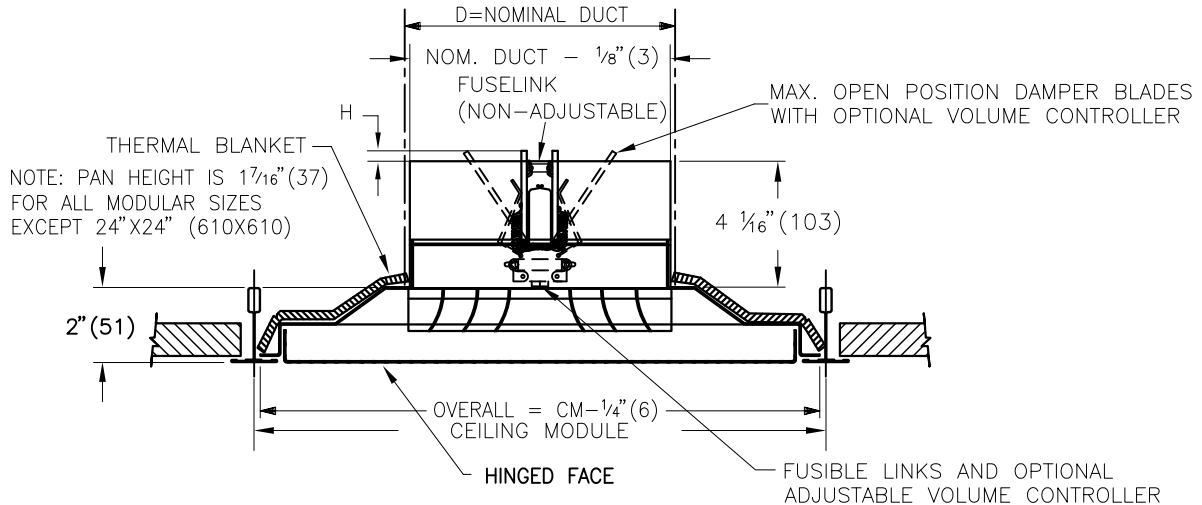


**PDN-FR PERFORATED DIFFUSER, FIRE RATED ASSEMBLY**



NOTE: PAN HEIGHT IS 1 7/16" (37) FOR ALL MODULAR SIZES EXCEPT 24" X 24" (610 X 610)

CEILING MODULE (CM)	D SQUARE DUCT					D ROUND DUCT					
	6x6 (152x152)	8x8 (203x203)	10x10 (254x254)	12x12 (305x305)	14x14 (356x356)	6" (152)	8" (203)	10" (254)	12" (305)	14" (356)	15" (381)
12x12 (305x305)	•					•					
20x20 (508x508)	•	•	•			•	•	•			
24x24 (610x610)	•	•	•	•	•	•	•	•	•	•	•
300x300	•					•					
500x500	•	•	•			•	•	•			
600x600	•	•	•	•	•	•	•	•	•	•	•

ROUND NECK		SQUARE NECK	
NOM. DUCT	H	NOM. DUCT	H
6 (152)	1 (25)	6 X 6	2
8 (203)	2 (51)	(152 X 152)	(51)
10 (254)	3 (76)	8 X 8	3
12 (305)	4 (102)	(203 X 203)	(76)
14 (356)	5 (127)	10 X 10	4
15 (381)	5 1/2 (140)	(254 X 254)	(102)
		12 X 12	5
		(305 X 305)	(127)
		14 X 14	6
		(356 X 356)	(152)
		15 X 15	6 1/2
		(381 X 381)	(165)

**MATERIAL:**

- STEEL CONSTRUCTION
- CEILING RADIATION DAMPER: BUTTERFLY TYPE.
- THERMAL BLANKET: NON ASBESTOS

**FINISH:**

- B12 WHITE (OPTIONAL FINISHES AVAILABLE)

**OPTION:**

- ADJUSTABLE VOLUME CONTROLLER (ALLEN KEY ADJUSTABLE)
- 165°F (74°C) FUSIBLE LINK (STANDARD)
- 212°F (100°C) FUSIBLE LINK

**NOTE:**

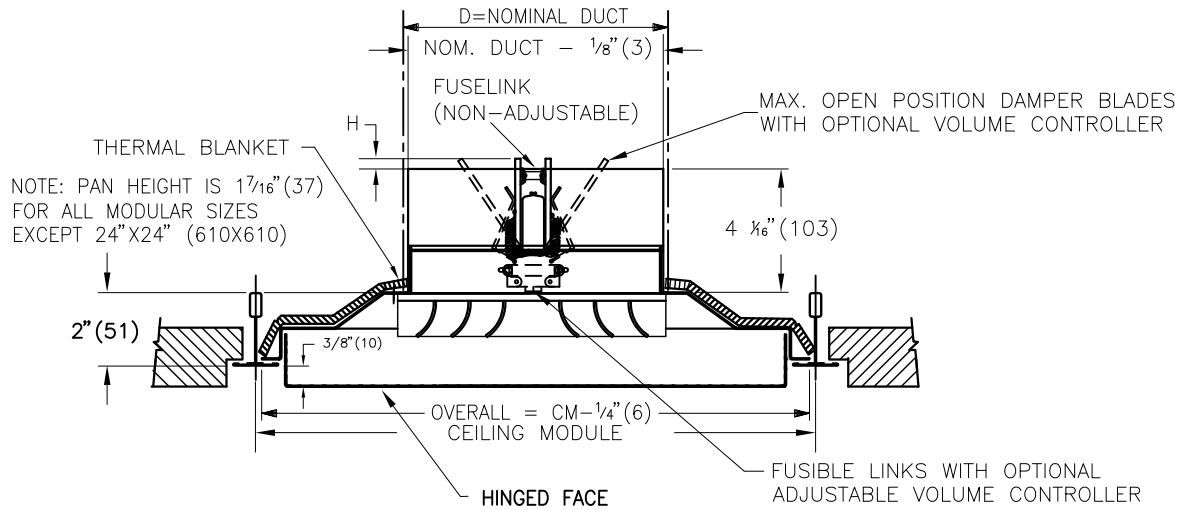
- FIRE RATED 3 HOUR.
- UL CLASSIFIED FIRE RATED CEILING DIFFUSER ASSEMBLY. LISTED IN UNDERWRITERS LABORATORIES FIRE RESISTANCE DIRECTORY.
- ULC CLASSIFIED FIRE RATED CEILING DIFFUSER ASSEMBLY. LISTED IN UNDERWRITERS OF CANADA LABORATORIES LIST OF EQUIPMENT AND MATERIALS.
- DEFLECTORS ARE FACTORY SUPPLIED IN A 4 WAY PATTERN SETTING.
- OTHER PATTERN SETTINGS CAN BE ACHIEVED BY ROTATING DEFLECTORS.
- DUCT: STEEL OR FLEXIBLE DUCT CONNECTIONS AS PER FIRE RATED DESIGN REQUIREMENTS.
- INSTALLATION INSTRUCTIONS: SEE SUBMITTAL 228791
- FIRE RATED DIFFUSERS ARE TO BE INSTALLED IN FIRE RATED T-BAR APPLICATIONS ONLY.



ALL METRIC DIMENSIONS ( ) ARE SOFT CONVERTED. IMPERIAL DIMENSIONS ARE CONVERTED TO METRIC AND ROUNDED TO THE NEAREST MILLIMETER.

<b>PROJECT:</b>		<b>PRICE®</b>	
<b>ENGINEER:</b>			
<b>CUSTOMER:</b>		228722	<b>PDN-FR</b> PERFORATED DIFFUSER WITH NECK DEFLECTORS FIRE RATED
<b>SUBMITTAL DATE:</b>	<b>SPEC. SYMBOL:</b>	2015/03/31	

**PDNE-FR PERFORATED DIFFUSER, EXTENDED FACE, FIRE RATED ASSEMBLY**



		D SQUARE DUCT						D ROUND DUCT					
		6x6 (152x152)	8x8 (203x203)	10x10 (254x254)	12x12 (305x305)	14x14 (356x356)	15x15 (381x381)	6" (152)	8" (203)	10" (254)	12" (305)	14" (356)	15" (381)
<input type="checkbox"/>	CEILING MODULE (CM)												
<input type="checkbox"/>	IMPERIAL	12x12 (305x305)	•					•					
<input type="checkbox"/>		20x20 (508x508)	•	•	•			•	•	•			
<input type="checkbox"/>		24x24 (610x610)	•	•	•	•	•	•	•	•	•	•	•
<input type="checkbox"/>	METRIC	300x300	•					•					
<input type="checkbox"/>		500x500	•	•	•			•	•	•			
<input type="checkbox"/>		600x600	•	•	•	•	•	•	•	•	•	•	•

ROUND NECK		SQUARE NECK	
NOM. DUCT	H	NOM. DUCT	H
6 (152)	1 (25)	6 X 6	2
8 (203)	2 (51)	(152 X 152)	(51)
10 (254)	3 (76)	8 X 8	3
12 (305)	4 (102)	(203 X 203)	(76)
14 (356)	5 (127)	10 X 10	4
15 (381)	5 1/2 (140)	(254 X 254)	(102)
		12 X 12	5
		(305 X 305)	(127)
		14 X 14	6
		(356 X 356)	(152)
		15 X 15	6 1/2
		(381 X 381)	(165)

**MATERIAL:**

- STEEL CONSTRUCTION
- CEILING RADIATION DAMPER: BUTTERFLY TYPE.
- THERMAL BLANKET: NON ASBESTOS

**FINISH:**

- B12 WHITE (OPTIONAL FINISHES AVAILABLE)

**OPTION:**

- ADJUSTABLE VOLUME CONTROLLER (ALLEN KEY ADJUSTABLE)
- 165°F (74°C) FUSIBLE LINK (STANDARD)
- 212°F (100°C) FUSIBLE LINK

**NOTE:**

- FIRE RATED 3 HOUR.
- UL CLASSIFIED FIRE RATED CEILING DIFFUSER ASSEMBLY. LISTED IN UNDERWRITERS LABORATORIES FIRE RESISTANCE DIRECTORY.
- ULC CLASSIFIED FIRE RATED CEILING DIFFUSER ASSEMBLY. LISTED IN UNDERWRITERS OF CANADA LABORATORIES LIST OF EQUIPMENT AND MATERIALS.
- DEFLECTORS ARE FACTORY SUPPLIED IN A 4 WAY PATTERN SETTING.
- OTHER PATTERN SETTINGS CAN BE ACHIEVED BY ROTATING DEFLECTORS.
- DUCT: STEEL OR FLEXIBLE DUCT CONNECTIONS AS PER FIRE RATED DESIGN REQUIREMENTS.
- INSTALLATION INSTRUCTIONS: SEE SUBMITTAL 228791
- FIRE RATED DIFFUSERS ARE TO BE INSTALLED IN FIRE RATED T-BAR APPLICATIONS ONLY.



ALL METRIC DIMENSIONS ( ) ARE SOFT CONVERTED. IMPERIAL DIMENSIONS ARE CONVERTED TO METRIC AND ROUNDED TO THE NEAREST MILLIMETER.

<b>PROJECT:</b>		<b>PRICE®</b>	
<b>ENGINEER:</b>		 228723	<b>PDNE-FR</b> EXTENDED FACE PERFORATED DIFFUSER WITH NECK DEFLECTORS FIRE RATED
<b>CUSTOMER:</b>			
<b>SUBMITTAL DATE:</b>	<b>SPEC. SYMBOL:</b>	2015/03/31	